

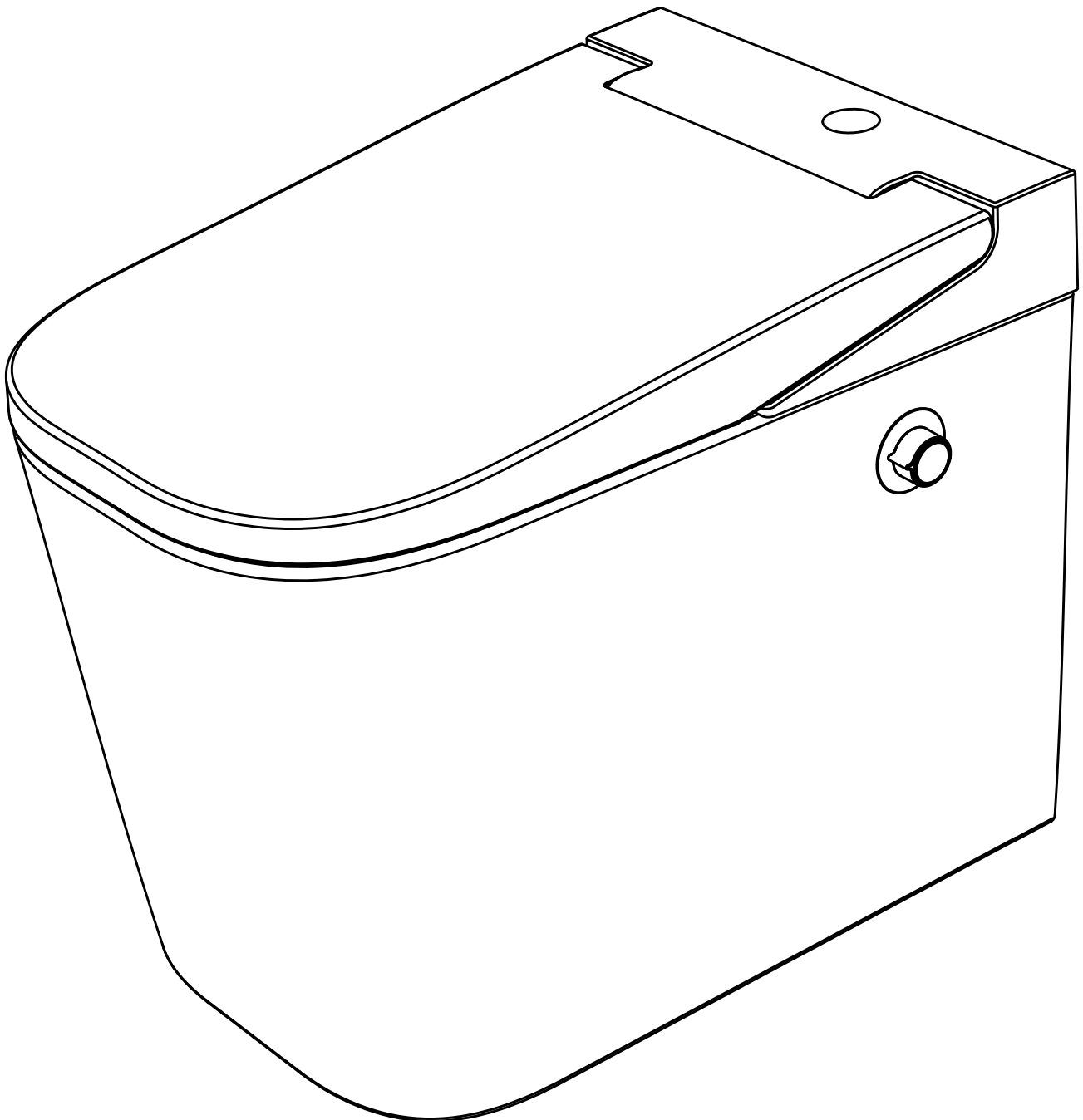


OptimFlush

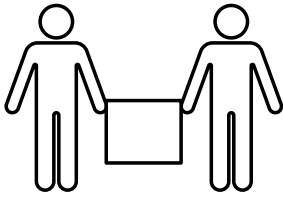
Floor-standing Rimless Toilet

SATOFSHFS2

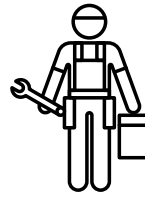
INSTALLATION INSTRUCTIONS



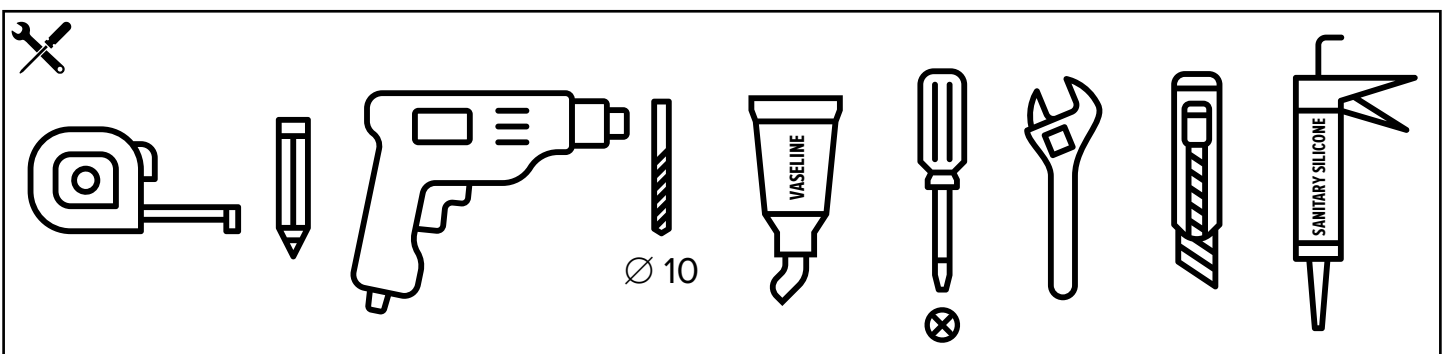
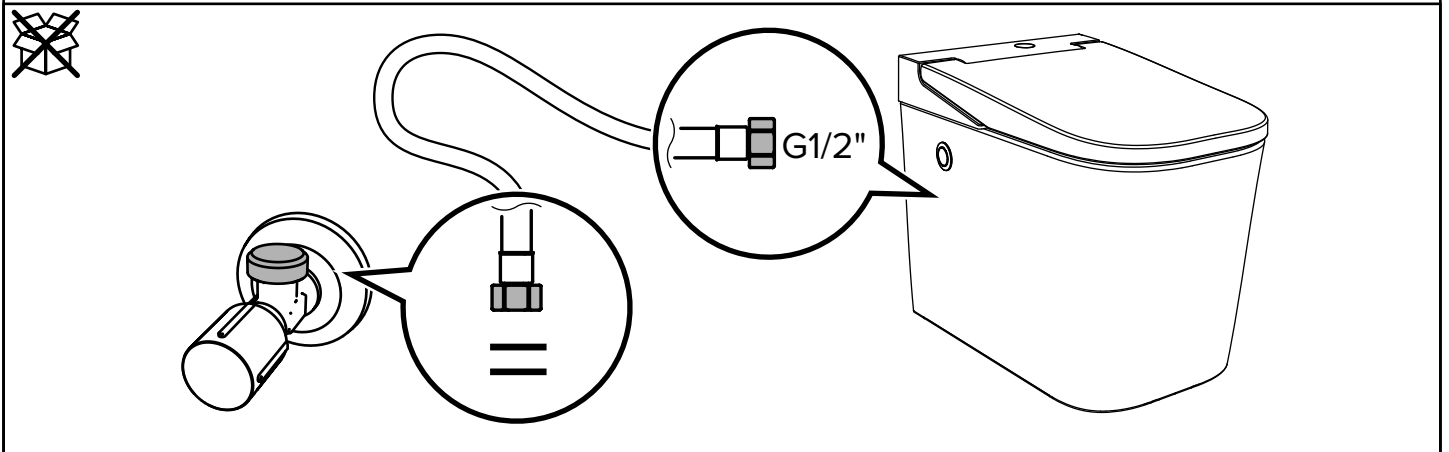
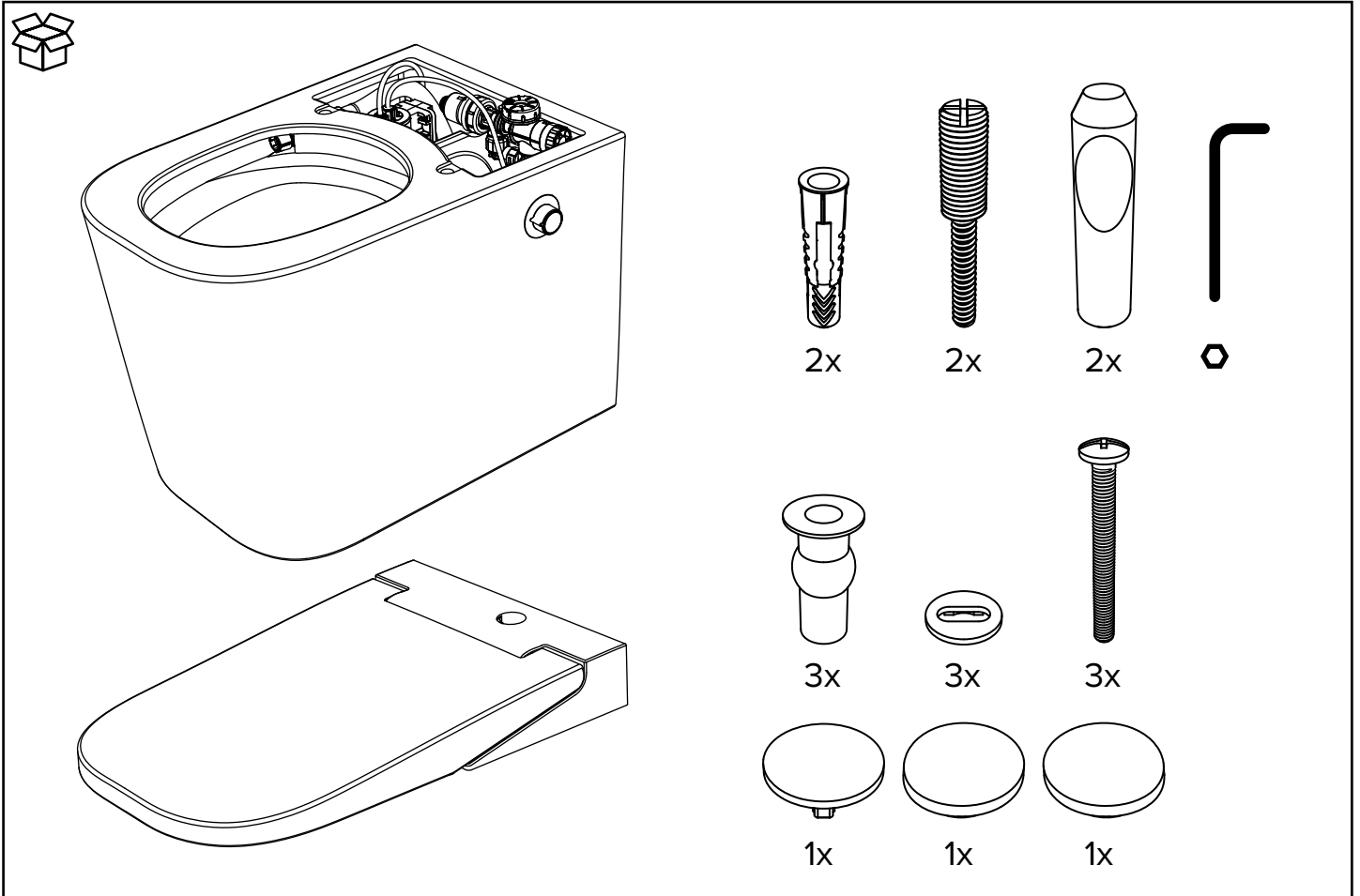
! TO ENSURE THIS PRODUCT IS INSTALLED PROPERLY, PLEASE READ THESE INSTRUCTIONS CAREFULLY BEFORE YOU BEGIN.



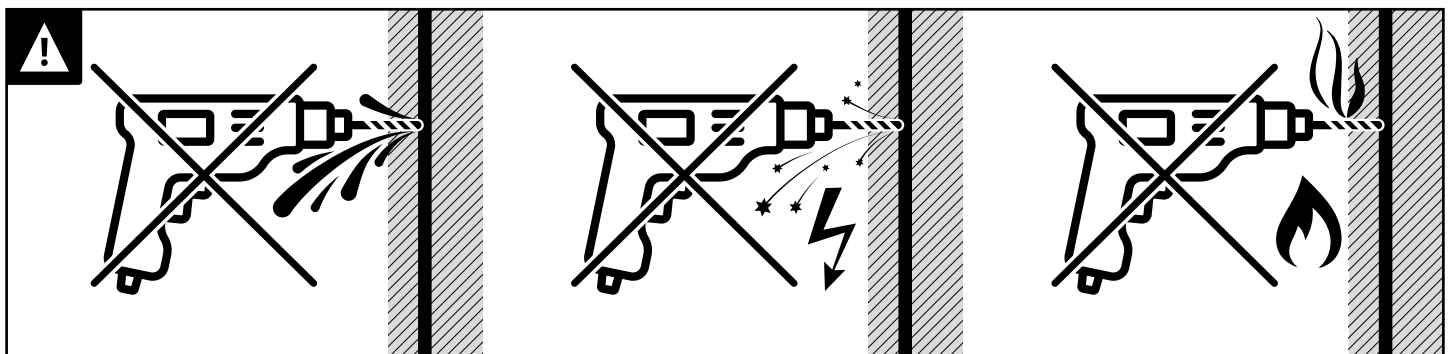
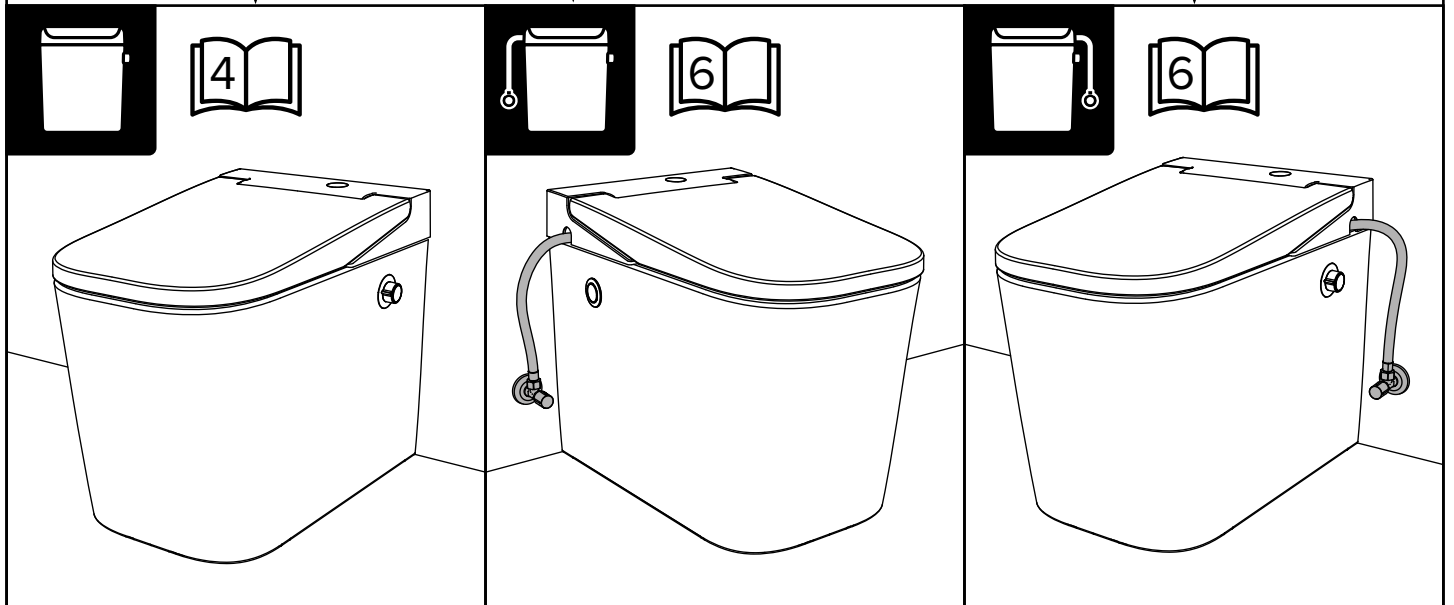
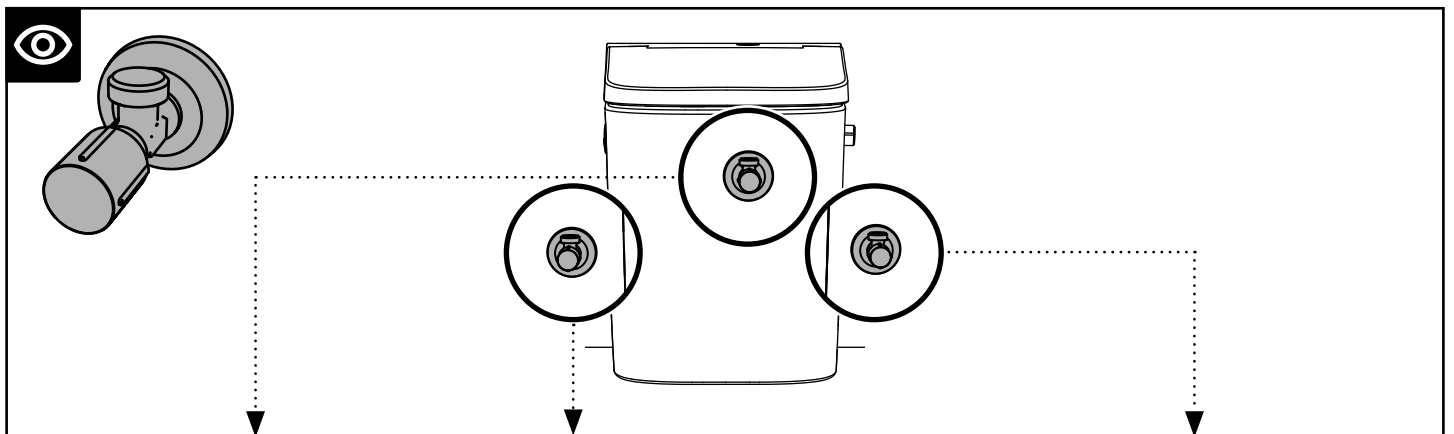
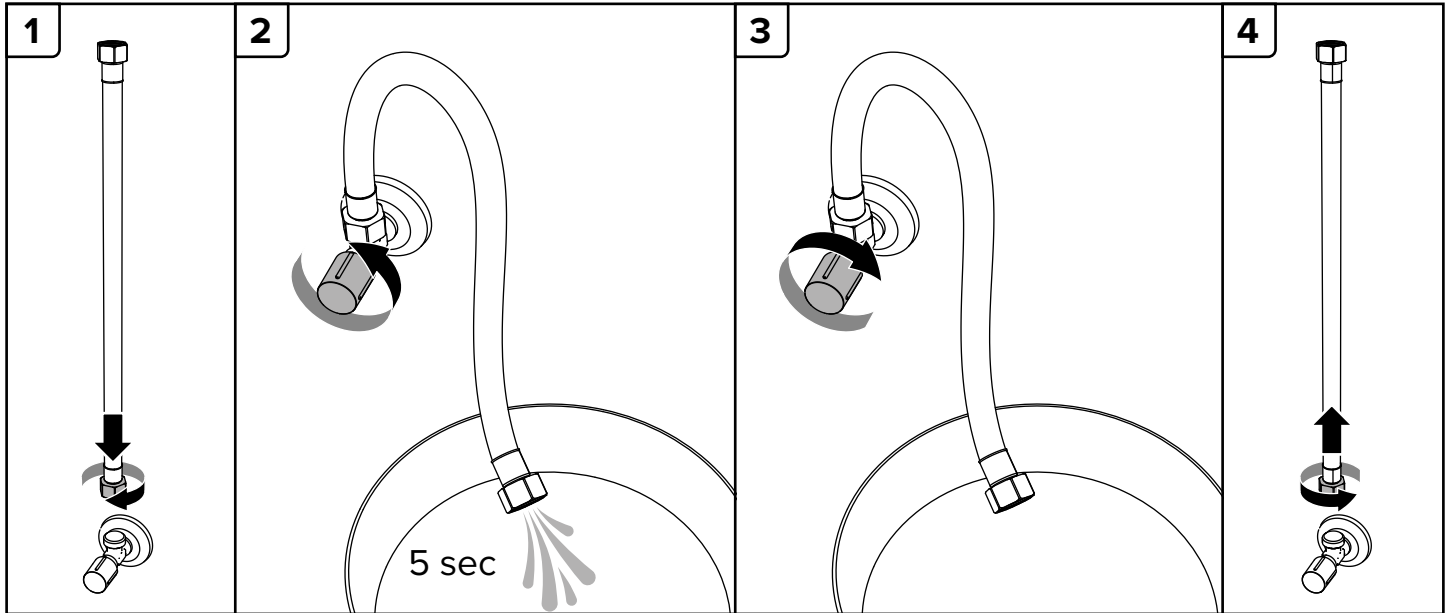
PRODUCT IS FRAGILE.
TO AVOID BREAKAGE
AND POSSIBLE INJURY
HANDLE WITH CARE!



CERTAIN
INSTALLATIONS
MAY REQUIRE
PROFESSIONAL
HELP

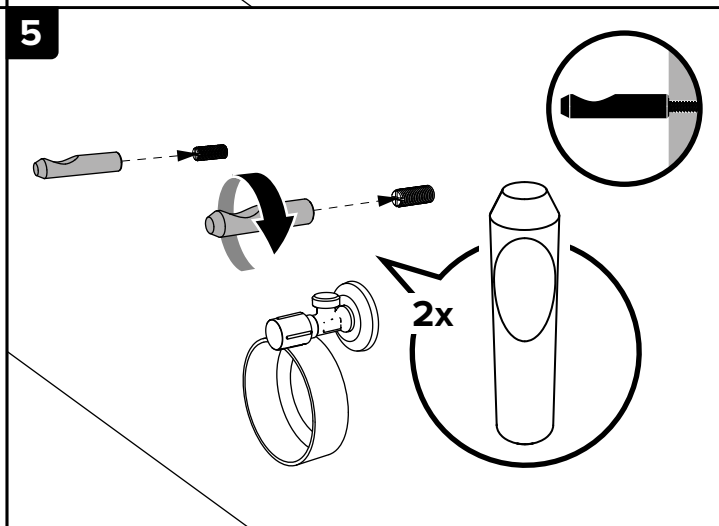
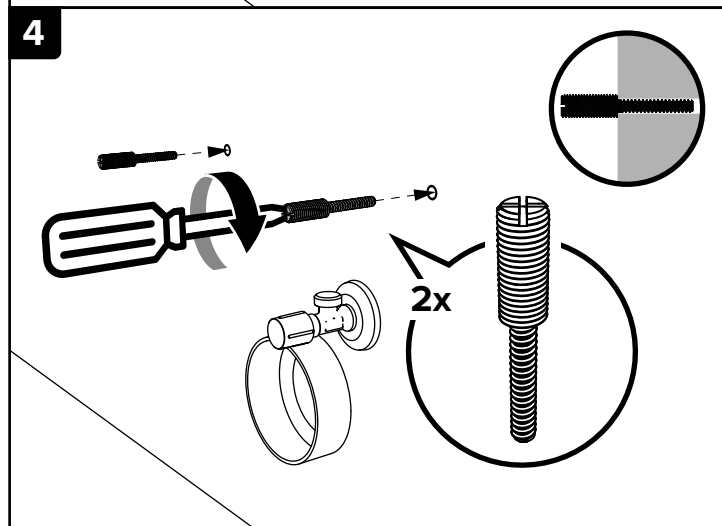
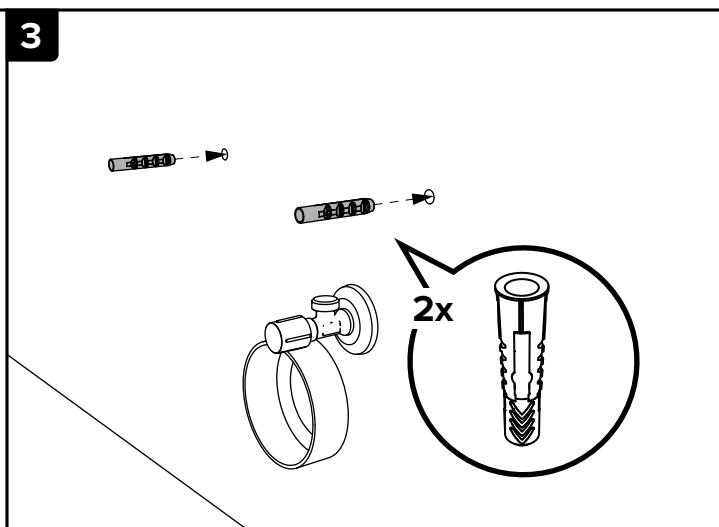
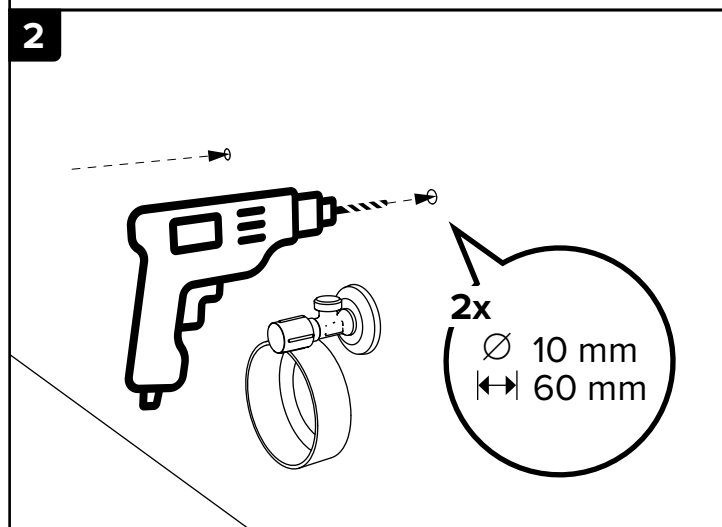
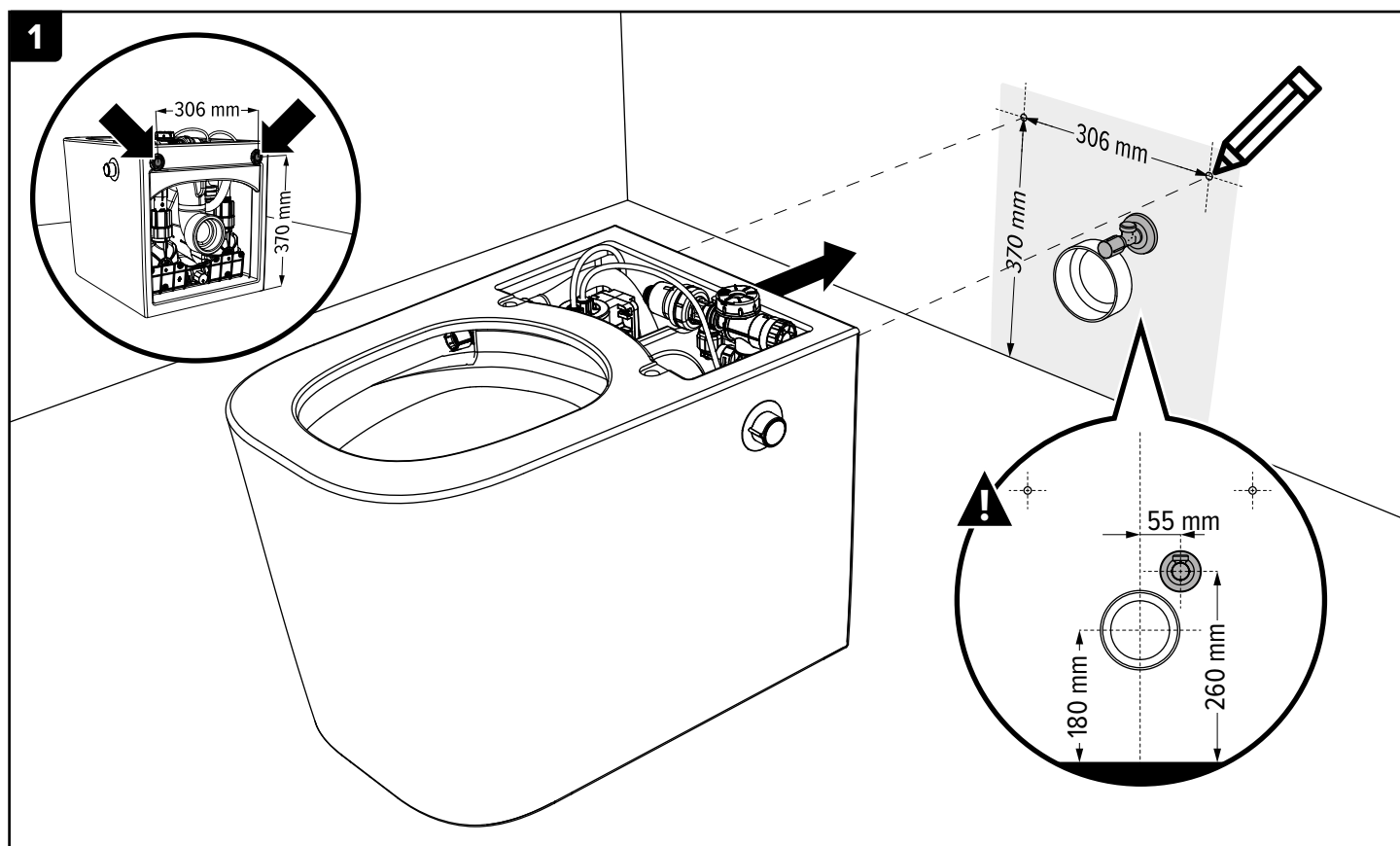


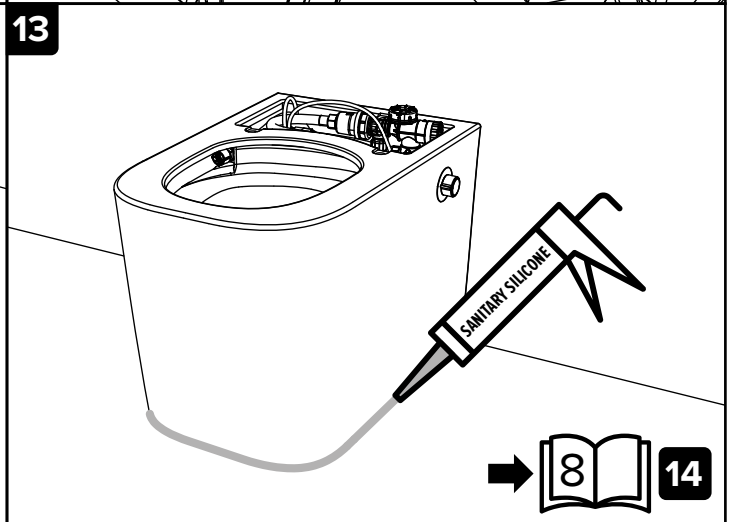
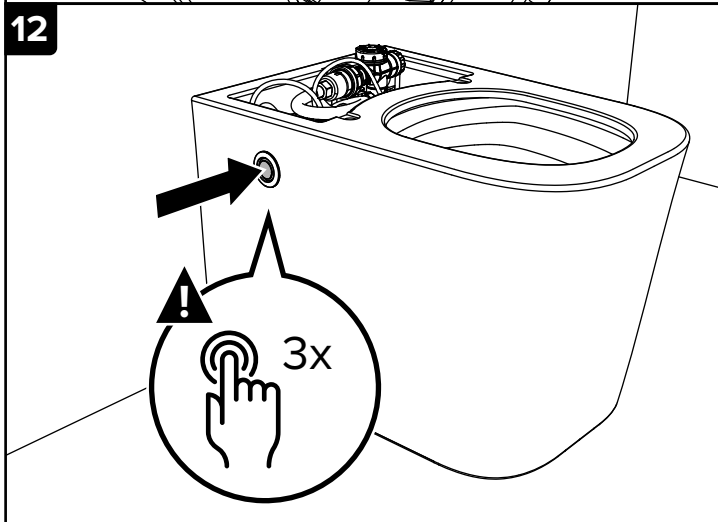
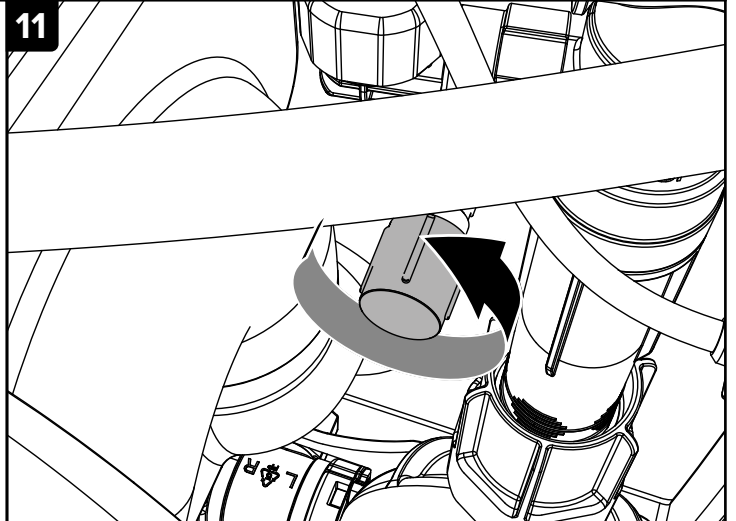
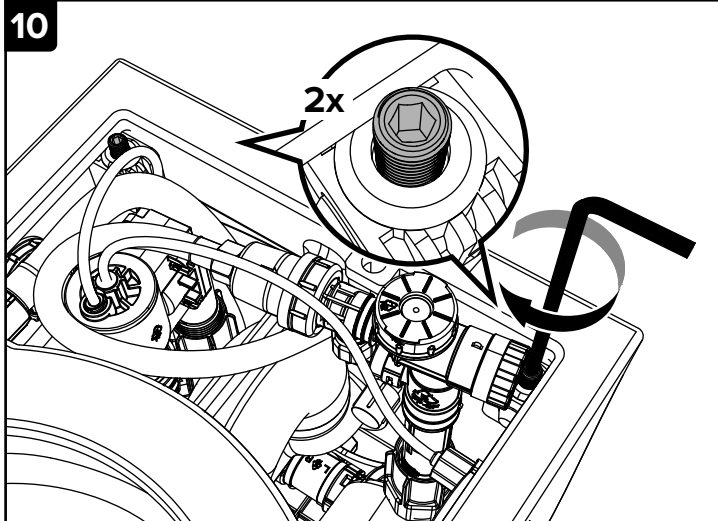
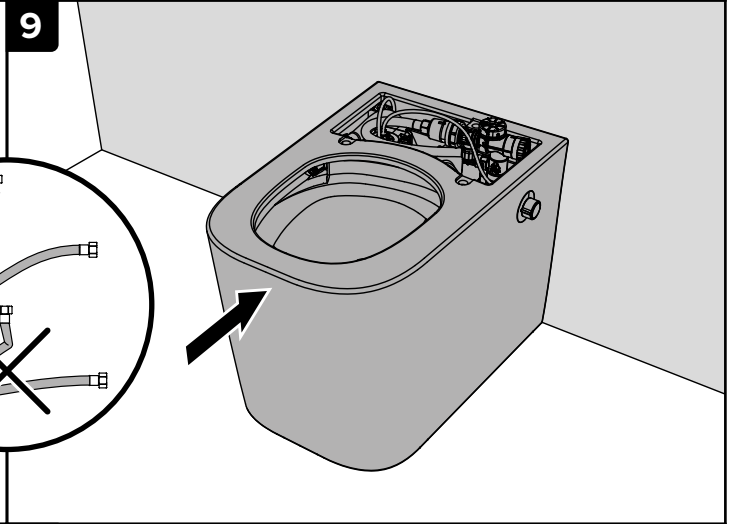
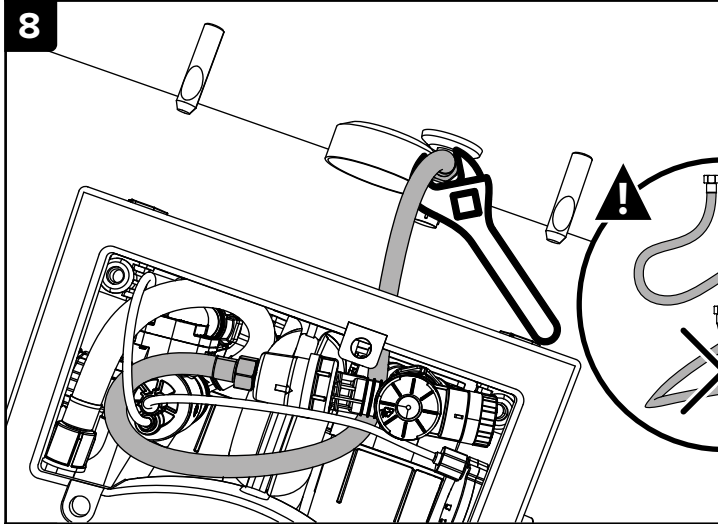
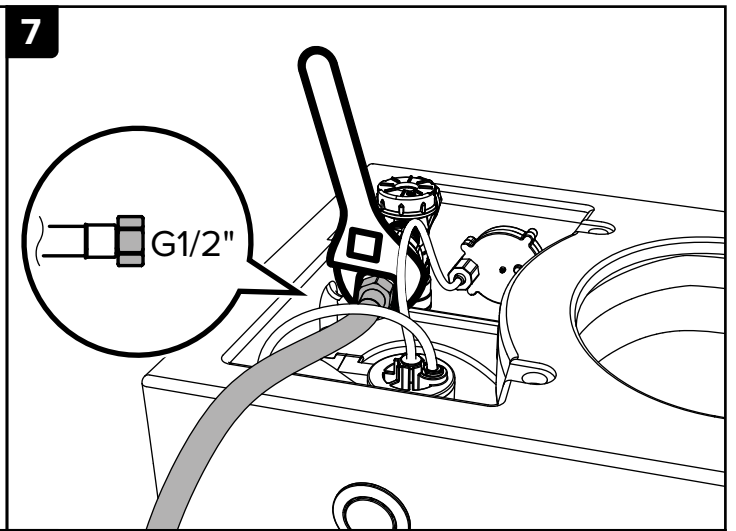
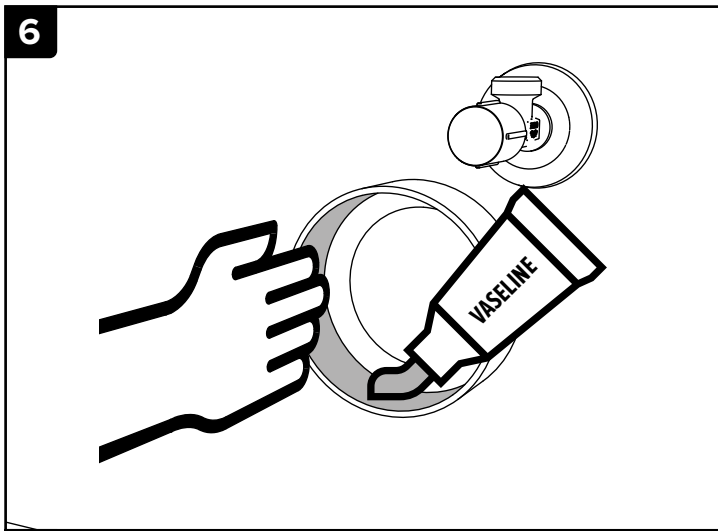
BEFORE YOU START ASSEMBLY



TOILET INSTALLATION

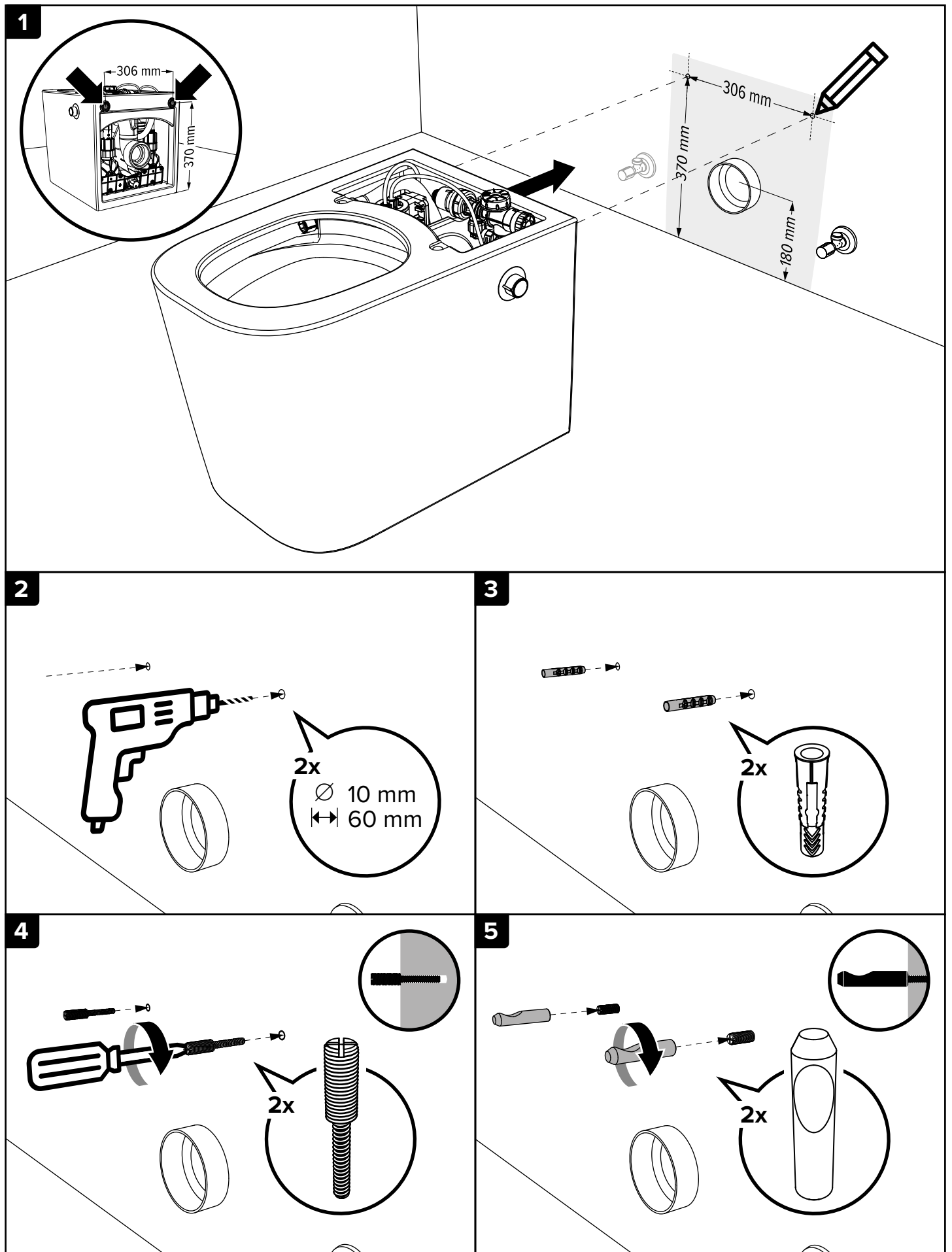
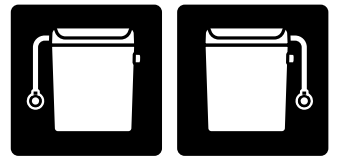
NOTE: Mounting surface must be clean and level before toilet is installed!

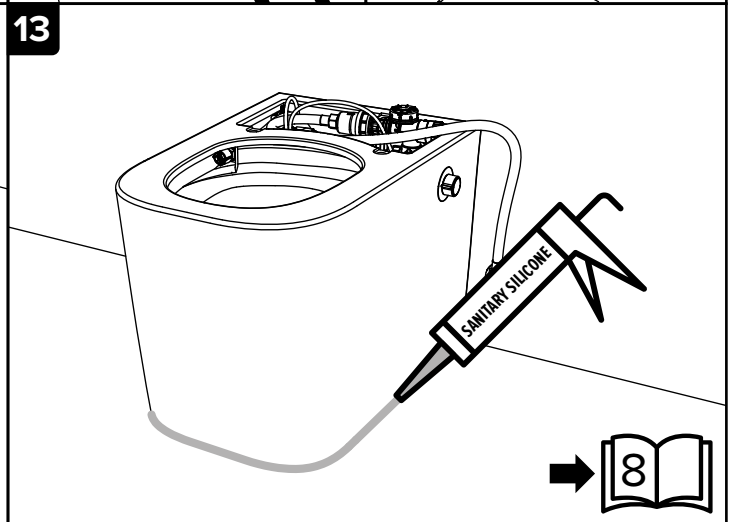
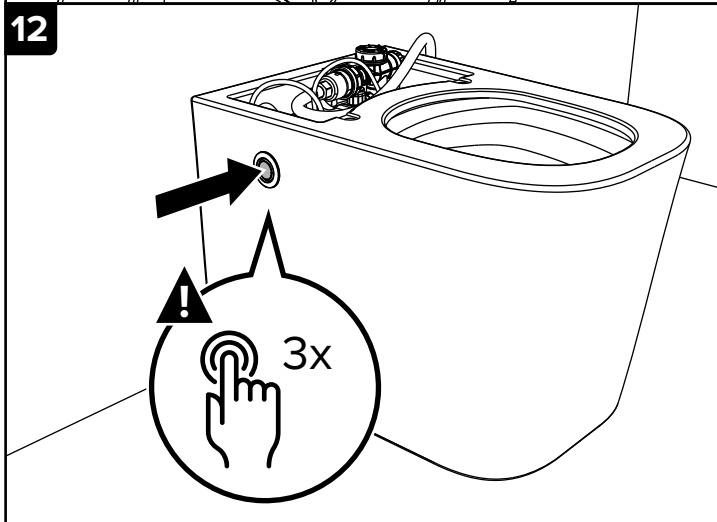
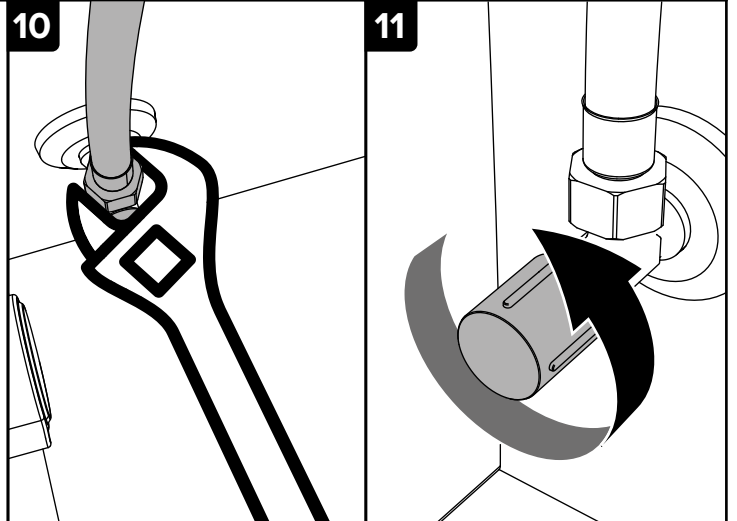
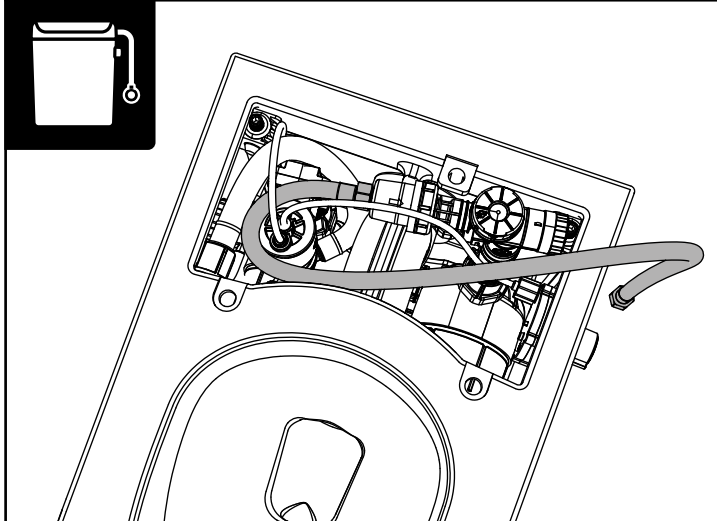
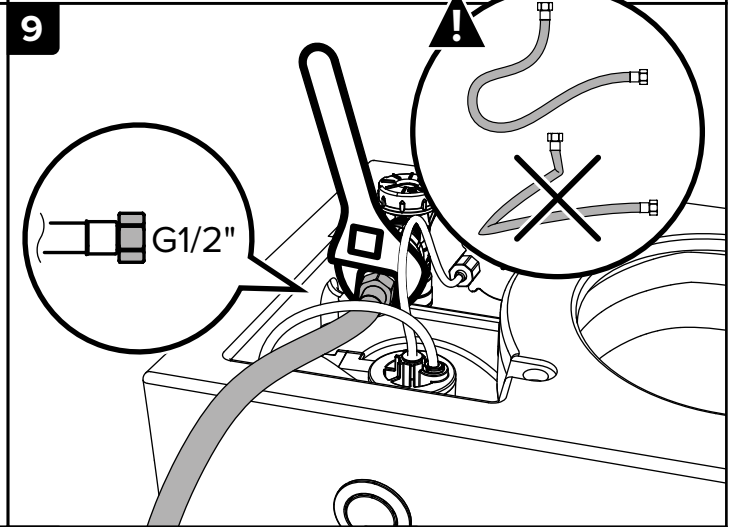
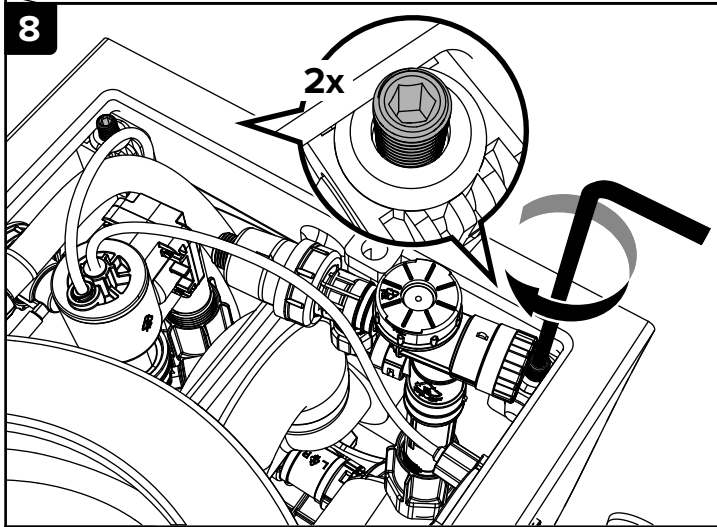
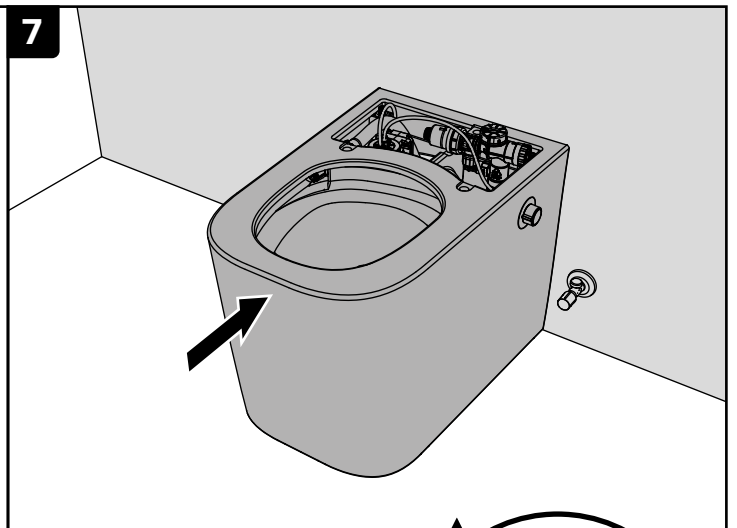
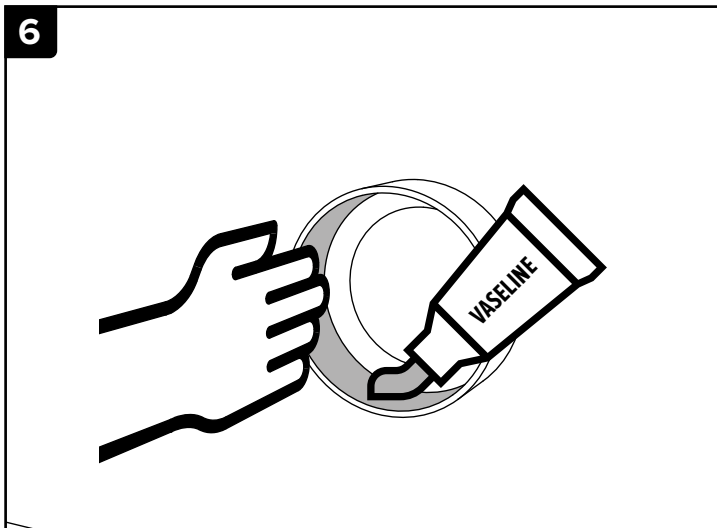




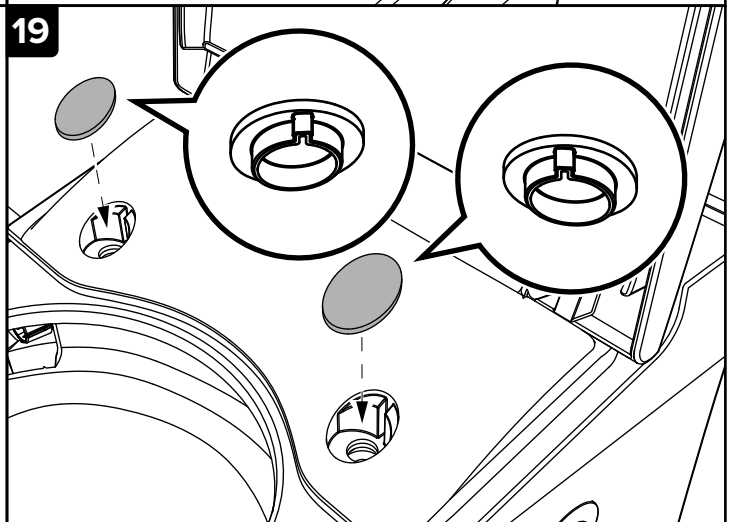
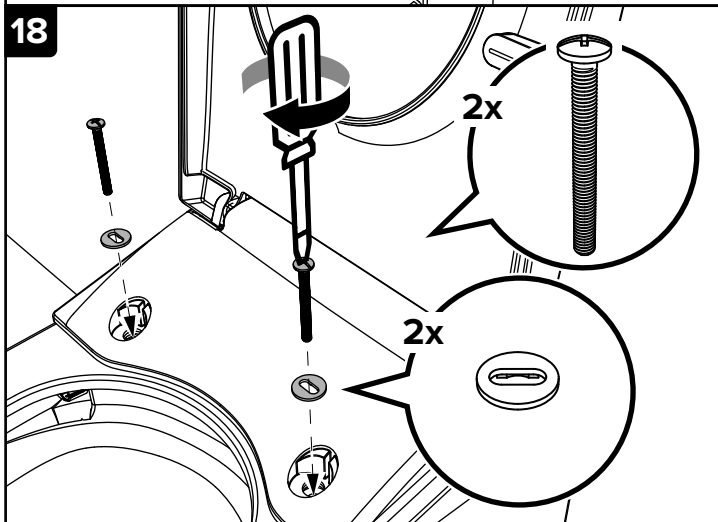
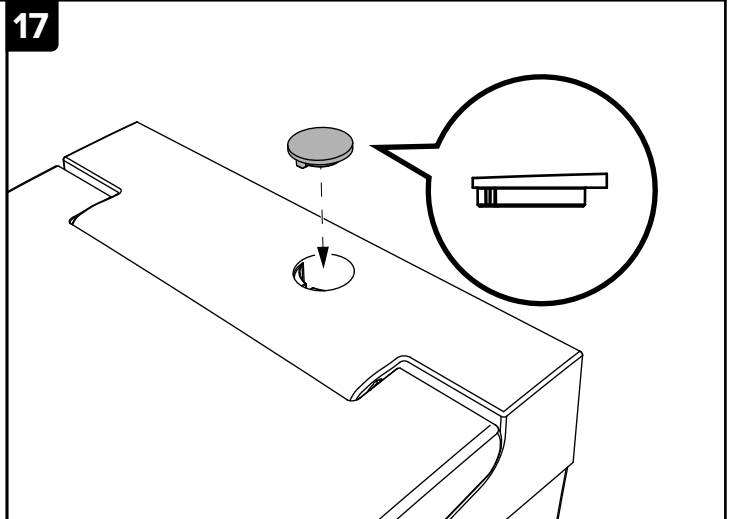
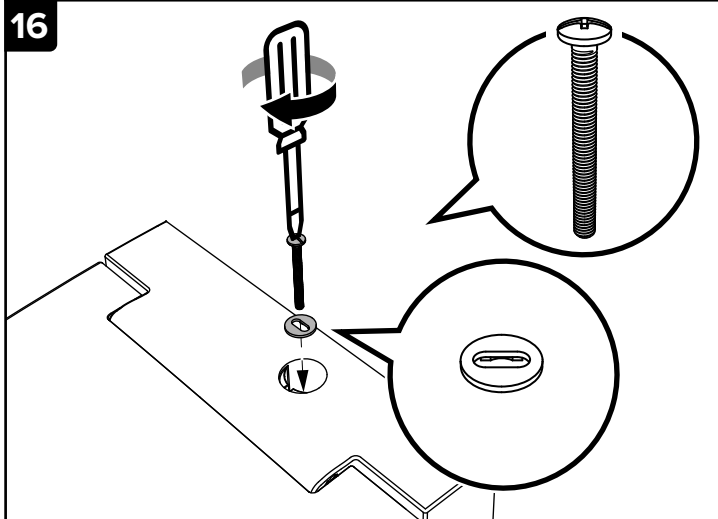
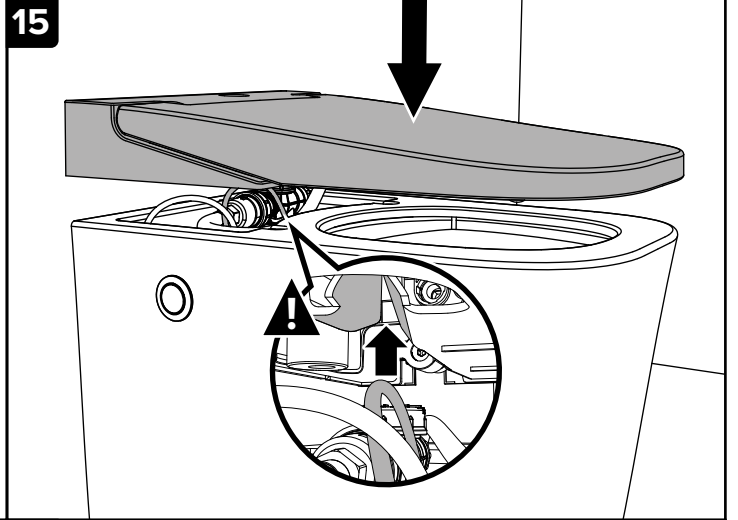
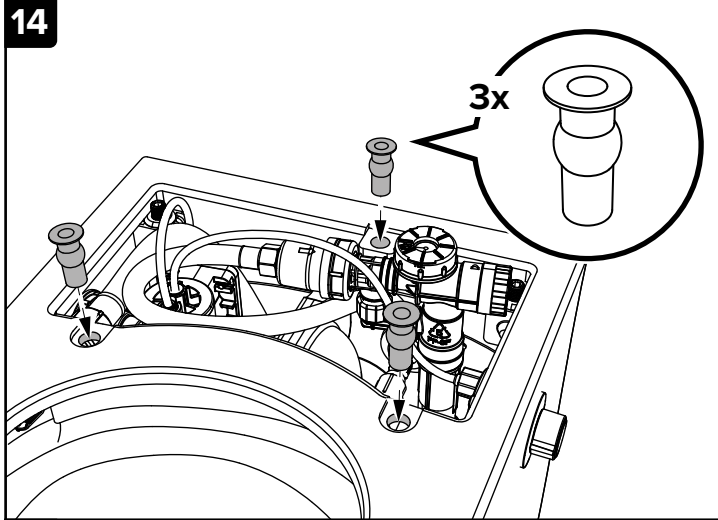
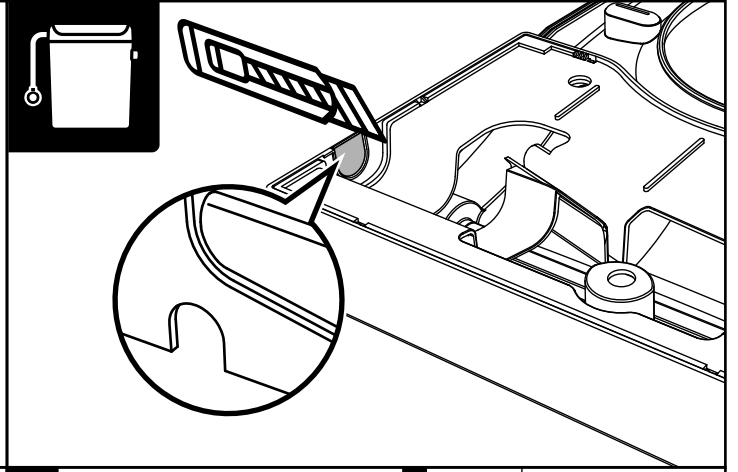
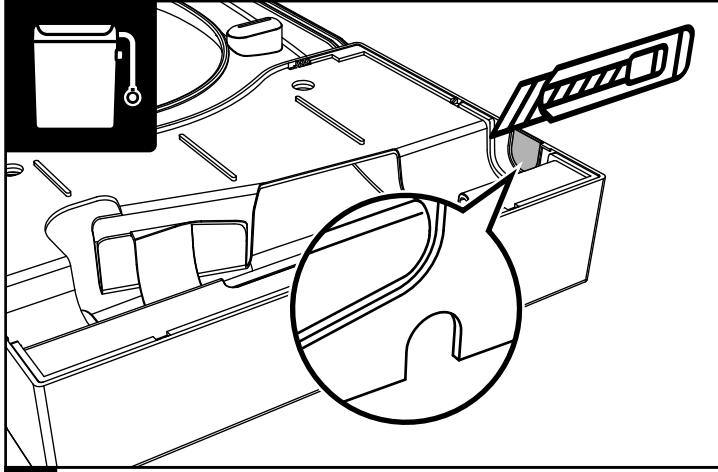
TOILET INSTALLATION

NOTE: Mounting surface must be clean and level before toilet is installed!

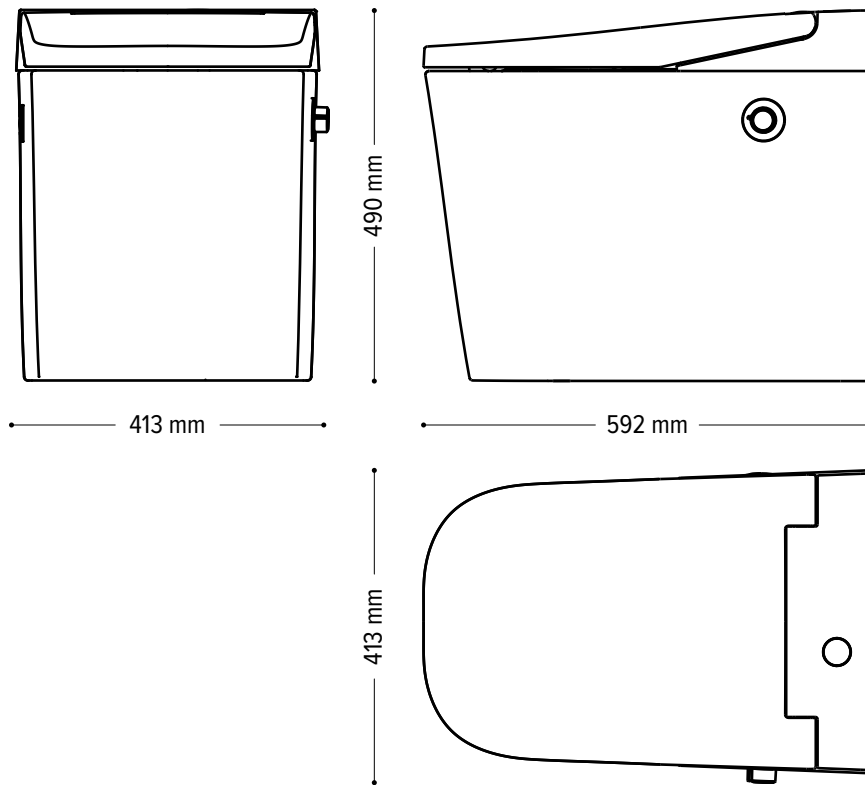




COVER / SEAT INSTALLATION



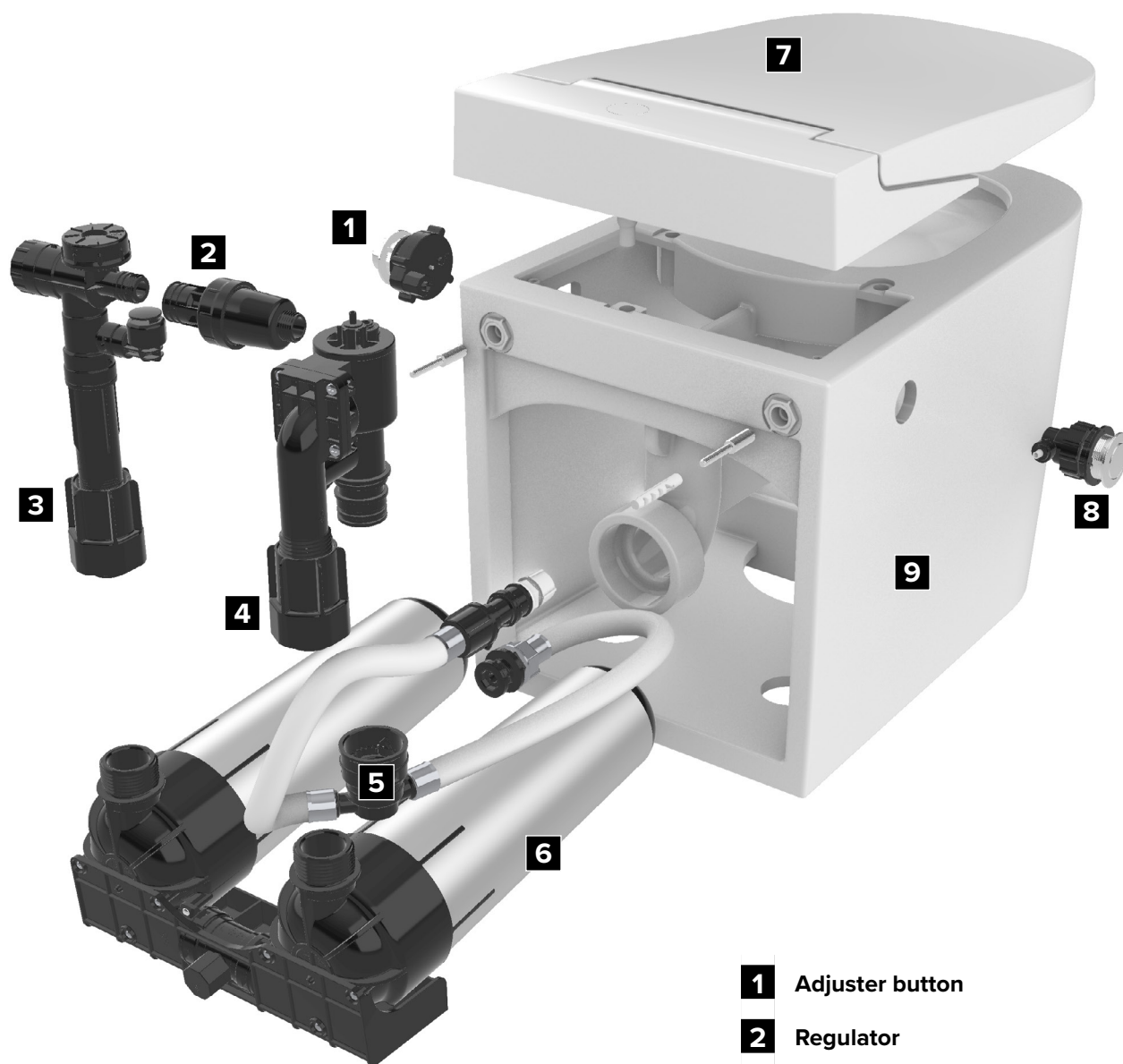
DIMENSIONS



TROUBLESHOOTING GUIDE

	Problem	Possible Cause	Corrective Action
1	Toilet flushing fail	Toilet angle valve not open.	Open the angle valve completely.
		The button fail to work.	Replace button.
		The Regulator filter blocked.	Disassembly the regulator to clean filter and keep press the button 4 minutes to refill air into cartridges.
2	Toilet flushing is weak or water seal is abnormal	Water pressure too low.	Working pressure not less than 20 PSI.
		The Regulator filter blocked.	Disassembly the regulator to clean filter and keep press the button 4 minutes to refill air into cartridges.
		Dirty water causes the fill valve core blocked and limited flow rate.	Replace fill valve.
3	Toilet leaking	Dirty water causes the flush valve core seal damage and not close as normal.	Replace flush valve core.
		Dirty water causes hydraulic button fail to close.	Replace hydraulic button.
4	Toilet leakage	Dirty water cause regulator damage and leaking.	Replace regulator.
		Dirty water causes fill valve damage and leaking.	Replace fill valve.
		The water supply hose not lock well.	Lock water supply hose tight enough.
		Hose washer damaged or lost.	Replace washer.
5	Toilet seat fail in slow down	The damper fail.	Replace seat.

OFS TOILET PARTS



- 1** Adjuster button
- 2** Regulator
- 3** Fill valve
- 4** Flush valve
- 5** Water outlet pipe
- 6** Cartridges
- 7** Toilet seat
- 8** Flush button
- 9** Chinaware

REPAIR PARTS LIST

No		Part Name	Part Number	Usage
1		Adjuster button	NDSATOFSHFS2AB	1
2		Regulator	999910060150	1
3		Fill valve	112070031020	1
4		Flush valve deck & core	112070031023 NDSATOFSHFS2FV	1
5		Water outlet pipe	NDSATOFSHFS2OP	1
6		Cartridges	NDSATOFSHFS2CA	1
7		Toilet seat	NDSATOFSHFS2SE	1
8		Hydraulic flush button	112070031021	1
9		Chinaware - ceramic toilet	NDSATOFSHFS2WC	1

DECLARATION OF PERFORMANCE



Declaration of Performance

DoP-997-01

1. Article number: **SATOFSHFS2**
2. Product designation: **Free standing pedestal WC pan with accumulation flushing system Optim Flush Hybrid**
3. Intended purpose: **Personal hygiene (PH)**
4. Manufacturer name's and adress: **Swiss Aqua Technologies CZ, s.r.o.
Skorkovská 1310
Praha 9
Czech republic**
- tel.: **+420 737 260 190**
e-mail: **info@swatec.ch**
web: **swatec.ch**
5. Importer's name and adress: **N.A.**
6. Review of the confirmation of performance: **System 4**
7. Harmonized standard: **EN 997:2012**
8. Declared performance:

Key features	Performance	Harmonized standard
Capacity of flushing water (CF)	Satisfies	EN 997:2012
Backflow prevention (BP)	Satisfies	
Cleanability (CA)	Satisfies	
Load resistance (LR)	Satisfies	
Water leaktightness (WL)	Satisfies	
Valve reliability (VR)	Satisfies	
Durability (DA)	Satisfies	

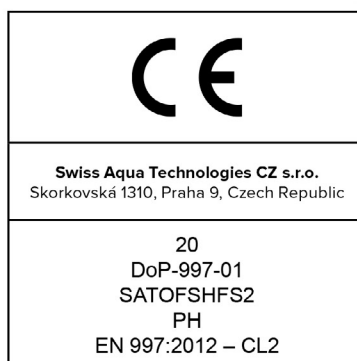
9. The performance of the product is consistent with the product description and with the table shown.
This Declaration was issued under the responsibility of the manufacturer identified above.

Signed in the manufacturer's name by:

In Prague 30. 10. 2020


Swiss Aqua Technologies CZ s.r.o.
Skorkovská 1310, 199 00 Praha 9 - Kyje
CEO Swiss Aqua Technologies
IC : 08028834, DIČ : CZ08028834

- 2 -



DoP-977-01 (EN)



SAT® is registered trademark of
Swiss Aqua Technologies AG
Gewerbstrasse 9, 6330 Cham, Switzerland
www.swatec.ch

**PATENT
PROTECTED**

OptimFlush Toilet is patented by
Swiss Aqua Technologies AG.